

## HBJD series 40type Warning Light

### Specifications

- Operating Temperature:  $-25^{\circ}\text{C} \sim +55^{\circ}\text{C}$
- Relative air humidity:  $\leq 98\%$
- Height above sea level:  $\leq 2000\text{m}$
- Vibration strength: 50Hz, amplitude about 1.2mm
- Continuous working time: 40000 hrs ( LED continual light type )  
25000hrs ( LED flash light type )
- Sound pressure level: 80-90dB ( 1m )
- Pollution class: class 3



### Part-number Description

HBJD	-	40	/	□	/	■	/	△	/	▲	/	●
Code of series	Size: $\Phi 40\text{mm}$	Signal source: D Continual light DZ Continual buzzer with continual light DW Discontinuous buzzer with continual light	Layers: 1 one layer 2 two layers 3 three layers	Color:  From up to down	Use voltage: AC/DC 24V AC 220V	Installation method: A Standard type B with base C Side install with nut						

### Installation instruction

washer  
 hex nut  
 waterproof contact  
 side install bottom HBJD-CZ-4  
 hex nut  
 waterproof contact  
 adapter sleeve HBJD-LJT-1  
 aluminum alloy connecting rod(100mm) HBJD-LG-1  
 round base HBJD-SZ-2

**A standard type**

**C Side installation with nut**

**B with base**

A standard

C side installation  
I with nut

B with base

## HBJD series 40type Warning Light

### Product outline

HBJD - 40 / □ / ■ / △ / ▲ / ●



single layer



single layer with buzzer



two layers



two layers with buzzer



three layers




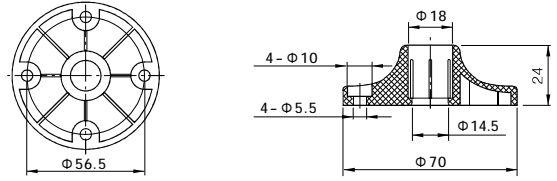

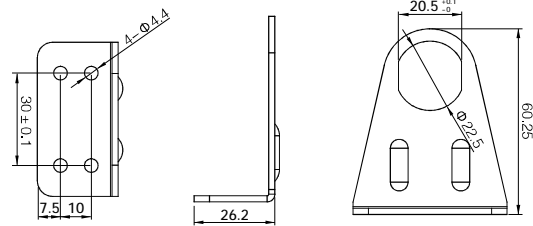

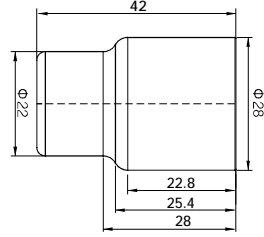

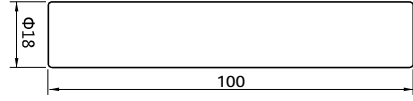
three layers with buzzer

□ Sound and light type	■ Layer number	△ Led color	▲ Service voltage	● Way to install	Dimension figure
D:Continual light	1:one layer	R G B Y W	24V:DC24V 220V:AC220V	A Standard type B with base C Side installation with nut	
DZ Continual buzzer with continual light DW Discontinuous buzzer with continual light	1:one layer (with buzzer)	R G B Y W	24V:DC24V 220V:AC220V	A Standard type B with base C Side installation with nut	
D:Continual light	2:two layers	R G B Y W	24V:DC24V 220V:AC220V	A Standard type B with base C Side installation with nut	
DZ Continual buzzer with continual light DW Discontinuous buzzer with continual light	2:two layers (with buzzer)	R G B Y W	24V:DC24V 220V:AC220V	A Standard type B with base C Side installation with nut	
D:Continual light	3:three layers	R G B Y W	24V:DC24V 220V:AC220V	A Standard type B with base C Side installation with nut	
DZ Continual buzzer with continual light DW Discontinuous buzzer with continual light	3:three layers (with buzzer)	R G B Y W	24V:DC24V 220V:AC220V	A Standard type B with base C Side installation with nut	

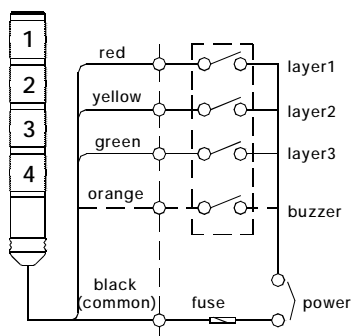
Note: special voltage made to order; LED color mark from up to down.

## HBJD series 40type Warning Light accessories

### Product cutline

Cutline and part number	Dimension figure
 <p>Vertical installed base HBJD-SZ-2</p>	
 <p>Side installed base HBJD-CZ-4</p>	
 <p>Connecting sleeve HBJD-LJT-1</p>	
 <p>aluminum alloy connecting rod(100mm) HBJD-LG-1</p>	

### wiring diagram



### Matters needing attention:

To preventing of fire and electric shock from happening; Users must pay attention of following matters;

- ⊙ Power must be cut off before installation; construction and inspection!
- ⊙ No open fire around this product, operating temperature ≤55℃!
- ⊙ Power line must be approved by safety usage standard!
- ⊙ Base and connecting part assembly must be reliable!
- ⊙ Installation and maintain of this product must be operated by professional!